

Standard Full Nut

Thread Type: Metric - Coarse

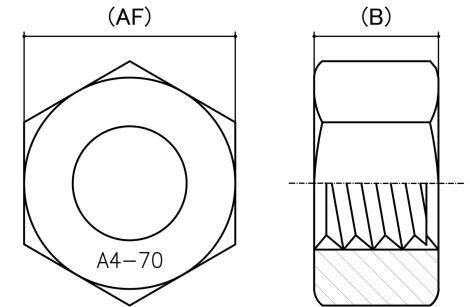
Thread Direction: Right Hand

Material: Stainless Steel

Class Grade: A4-70 G316

Corrosion Protection Level: Ultimate

Standard: DIN 934



*CAD drawings shown for graphic representation only.**

Size	Thread Pitch (mm)	Thread Type	Overall Nut Height (B) (mm)		Across Flats (AF) (mm)		Spanner Size (AF) (mm)	sku (qfind)
			Min	Max	Min	Max		
M2	0.40	Coarse	1.35	1.75	3.82	4.00	4	41S2M
M2.5	0.45	Coarse	1.75	2.00	4.82	5.00	5	41S25M
M3	0.50	Coarse	2.15	2.40	5.32	5.50	5.5	41S3M
M3.5	0.60	Coarse	2.54	2.90	5.82	6.00	6	41S3.5M
M4	0.70	Coarse	2.90	3.30	6.78	7.00	7	41S4M
M5	0.80	Coarse	3.70	4.00	7.78	8.00	8	41S5M
M6	1.00	Coarse	4.70	5.00	9.78	10.00	10	41S6M
M7	1.00	Coarse	5.20	5.50	10.73	11.00	11	41S7M
M8	1.25	Coarse	6.14	6.40	12.73	13.00	13	41S8M
M10	1.50	Coarse	7.42	8.00	16.73	17.00	17	41S10M
M12	1.75	Coarse	9.64	10.00	18.67	19.00	19	41SM12M
M14	2.00	Coarse	10.30	11.00	21.67	22.00	22	41SM14M
M16	2.00	Coarse	12.30	13.00	23.67	24.00	24	41S16M
M18	2.50	Coarse	14.30	15.00	26.16	27.00	27	41S18M

Size	Thread Pitch (mm)	Thread Type	Overall Nut Height (B) (mm)		Across Flats (AF) (mm)		Spanner Size (AF) (mm)	sku (qfind)
			Min	Max	Min	Max		
M20	2.50	Coarse	15.00	16.00	29.16	30.00	30	41S20M
M22	2.50	Coarse	16.90	18.00	31.00	32.00	32	41S22M
M24	3.00	Coarse	17.70	19.00	35.16	36.00	36	41S24M
M27	3.00	Coarse	20.70	22.00	40.00	41.00	41	41S27M
M30	3.50	Coarse	22.70	24.00	45.00	46.00	46	41S30M
M33	3.50	Coarse	24.70	26.00	49.00	50.00	50	41S33M
M36	4.00	Coarse	27.40	29.00	53.80	55.00	55	41S36M

Disclaimer:

Dimensional data and technical information was obtained from publicly available sources and not acquired through standard agencies. It has been completed and compiled for reference purposes only; where discrepancies are found they are subject to change without notice. Bolt & Nut Australia makes no warranties or representations regarding the accuracy and validity of the compiled information and data. Contact the relevant standard authorities for accurate and detailed information.

* CAD drawings may not reflect diameter, thread length or overall length.

© Bolt & Nut Australia Pty Ltd. All rights reserved.

Version: 18 Mar 2024